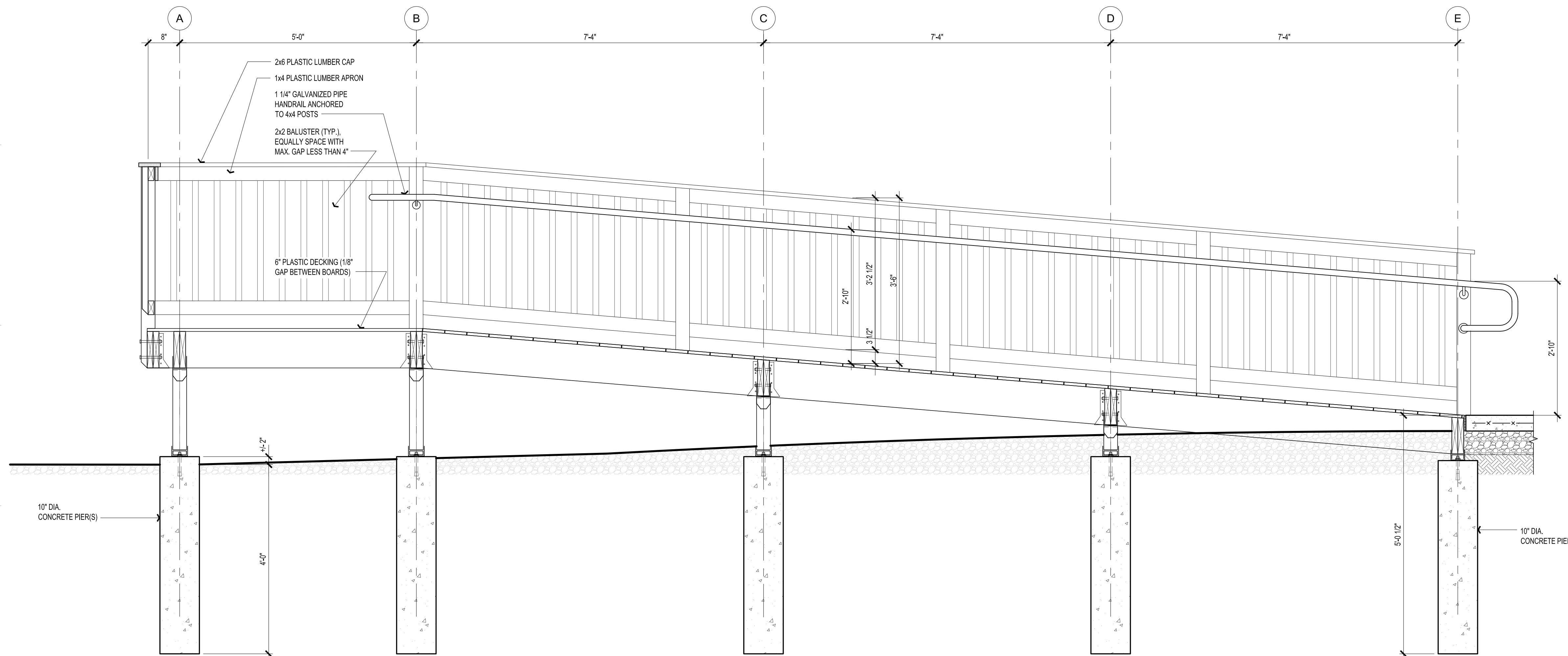
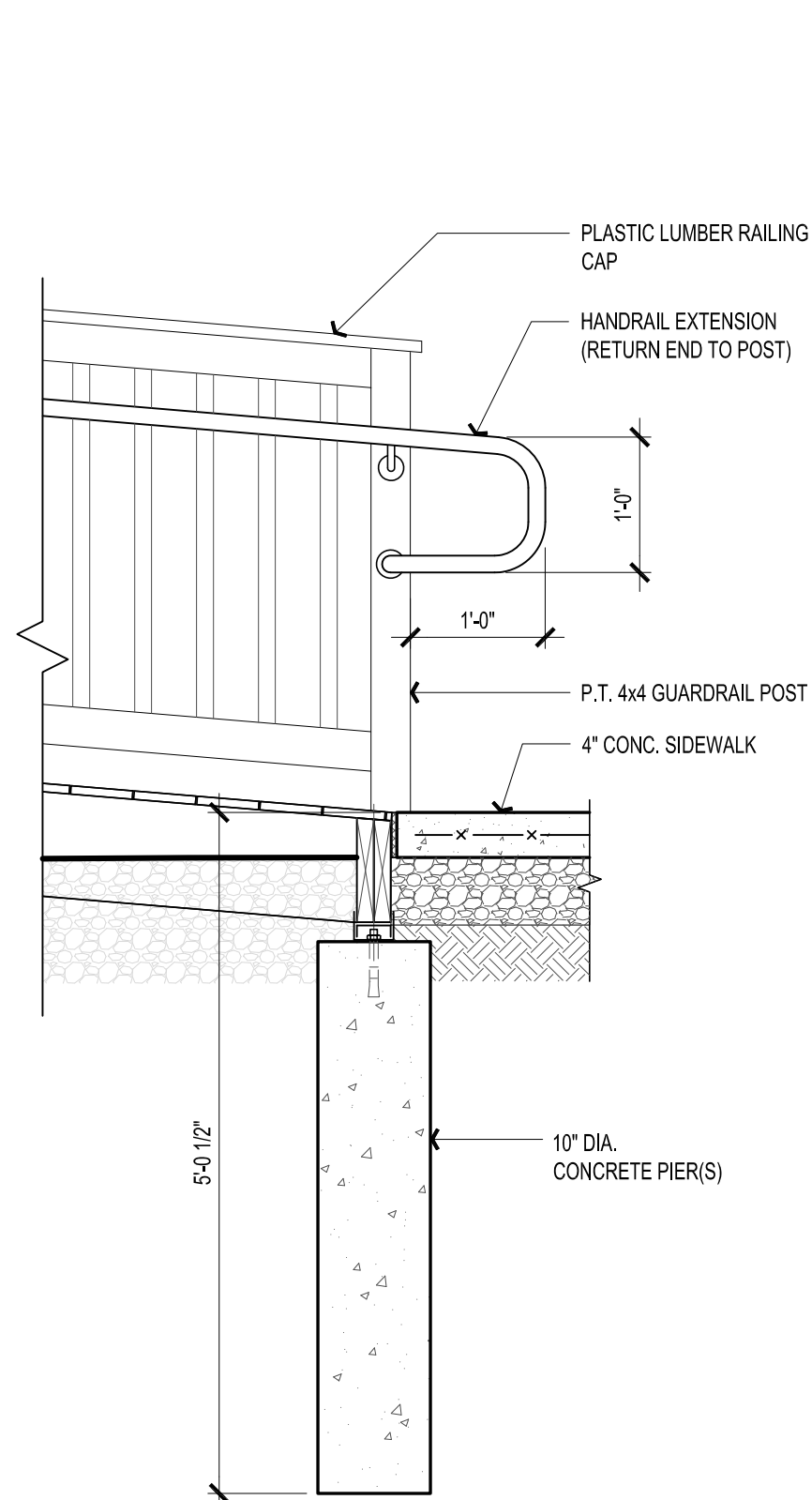


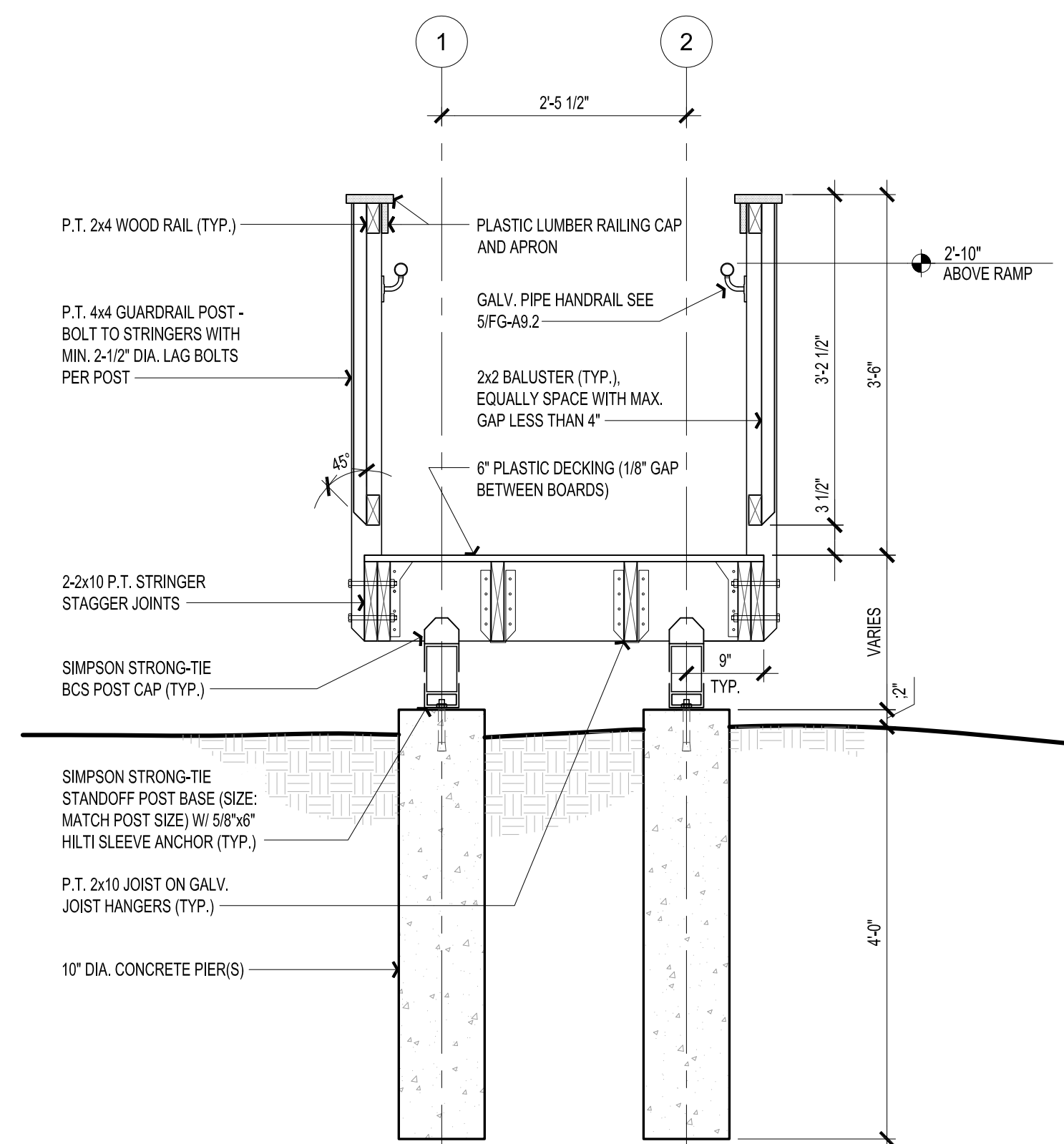
NOTE:  
 STAIN ALL VISIBLE PRESSURE TREATED LUMBER COMPONENTS OF LANDING, RAMP, AND GUARDRAILS.



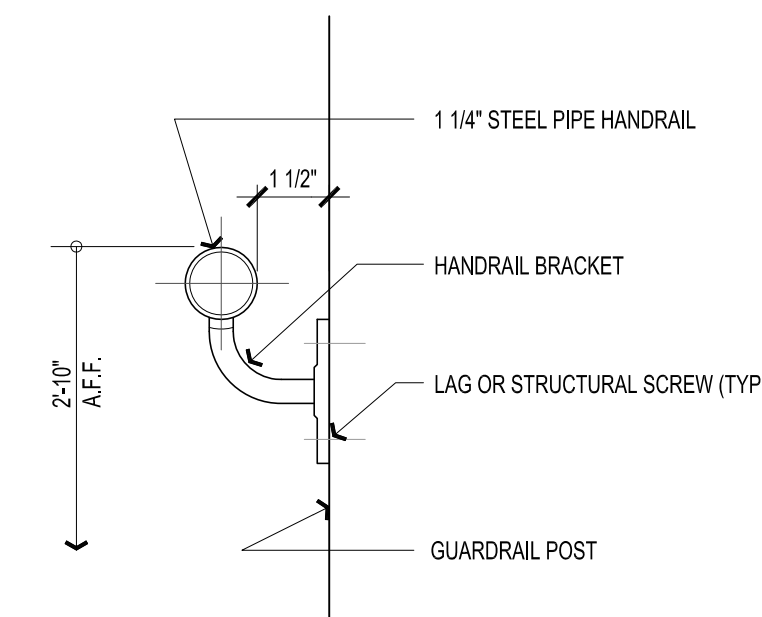
**1 RAMP SECTION**  
 FG-A9.3 SCALE: 3/4" = 1'-0"



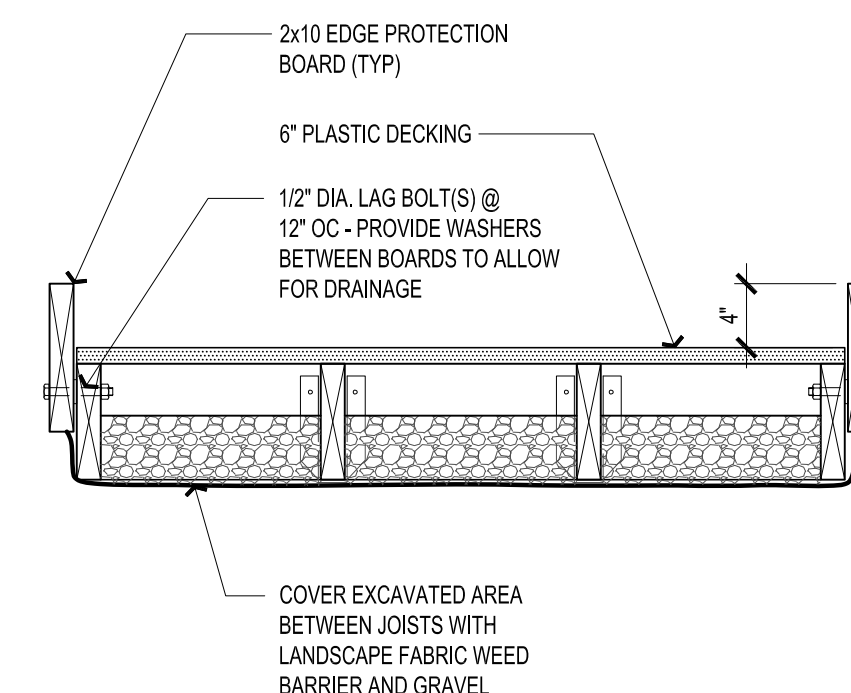
**2 SECTION AT END OF RAMP**  
 FG-A9.3 SCALE: 3/4" = 1'-0"



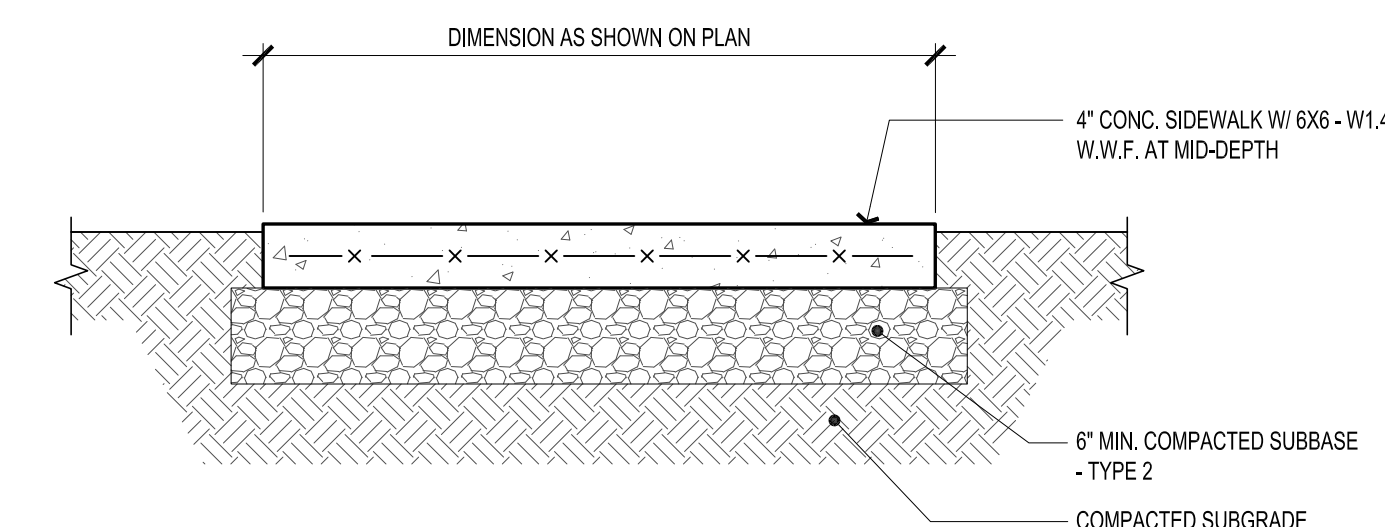
**3 RAMP SECTION**  
 FG-A9.3 SCALE: 3/4" = 1'-0"



**4 HANDRAIL DETAIL**  
 FG-A9.3 SCALE: 3" = 1'-0"



**5 LANDING SECTION**  
 FG-A9.3 SCALE: 1" = 1'-0"



- NOTES:
- ALL EXPOSED SURFACES SHALL BE SLOPED SUFFICIENTLY TO SHED WATER (1/4" PER FOOT STANDARD).
  - KEEP CONCRETE SURFACES CONTINUOUSLY MOIST FOR NOT LESS THAN THREE DAYS.
  - SIDEWALK FINISH: BROOM FINISH.
  - SCORE OR SAWCUT CONTRACTION JOINTS (1/4 OF SLAB DEPTH) AT INTERVALS THAT RESULT IN PANELS AS SQUARE AS POSSIBLE.
  - PROVIDE 1/2" EXPANSION JOINT MATERIAL BETWEEN NEW SIDEWALKS AND EXISTING CONCRETE.
  - AT GRADE AREAS DISTURBED BY CONSTRUCTION, RESTORE LANDSCAPING AND RESEED.

**6 CONCRETE SIDEWALK DETAIL**  
 FG-A9.3 SCALE: 1" = 1'-0"

REVISIONS

Revision	Description	Date
1	RAMP DESIGN	08/02/16

Project Title

NEW YORK STATE OF OPPORTUNITY  
 Office for People With Developmental Disabilities

TACONIC DDSO  
 4277 New York 22, Amenia, NY 12501

**FIRE SAFETY UPGRADE INITIATIVE**  
 DASNY REFERENCE #322250  
 HOSTEL #11199  
 243 FISH AND GAME ROAD  
 CLAVERACK, NY

Phase

BID SET

**RAMP DETAILS**

Drawn By: TH MD    Checked By:    Date: 05/15/2015

Seal & Signature: [Signature]    DASNY Project No: 3222309999  
 Drawing Number: FG-A9.3

Drawing of 113